



 **PENSILAUTO**

# DESCRIPTION

## VERSION WITH PVC ROOF COVER

---



## VERSION WITH SANDWICH PANELS

---



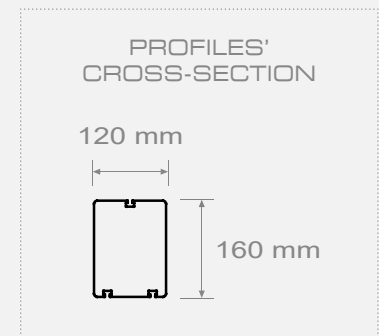
# GROUND ANCHORING

## SUPPORTING STRUCTURE FEATURES

- The structure is modular and suits car parks of any size.
  - The support frame provides perfect static balance with high resistance to snow and wind loads.
- The structure comes with a structural analysis report and a 15-year guarantee.
- The structure comprises silver anodised aluminium profiles and steel joints that have been treated with cathaphoresis and coated with polyester powder, a technique used by car manufacturers to protect the mechanical components set in the external lower part of cars. Therefore the structure needs no maintenance.
  - The structure successfully passed the load test undertaken, withstanding the maximum load required by the Static Calculations with no permanent deformation.



Over 4 days, each purlin was examined; a 200 Kg weight was tied to its midpoint and to its edge, exerting maximum force on the structure joints.



## GROUND ANCHORING



**ANCHORING WITH CONCRETE WEIGHTS**  
Quick and easy installation without foundations, as the concrete ballasts provided are fixed to the ground with anchor bolts and pegs according to soil consistency.



**ANCHORING WITH PLATES FOR FIXING INTO CONCRETE SURFACES/PLINTHS**  
Quick installation with anchor bolts.

# OPTIONS AND SUGGESTIONS

## OPTIONS - RIGID ADVERTISING BOARD



## SUGGESTIONS FOR ADDITIONAL COVERINGS (NOT PROVIDED)

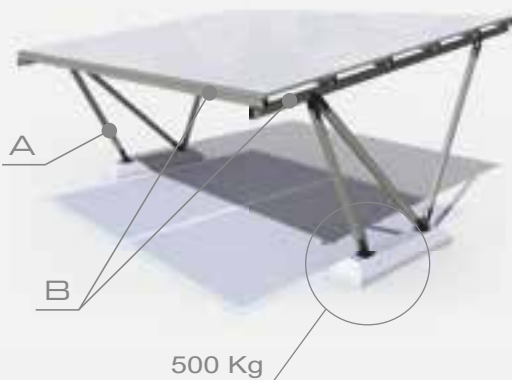


"PENSILAUTO" GIVES YOU THE OPPORTUNITY TO INSTALL THE COVERING OF YOUR CHOICE, EVEN AFTER PURCHASE.



SOLAR PANELS AND GLASS PANELS

## OTHER AVAILABLE VERSIONS

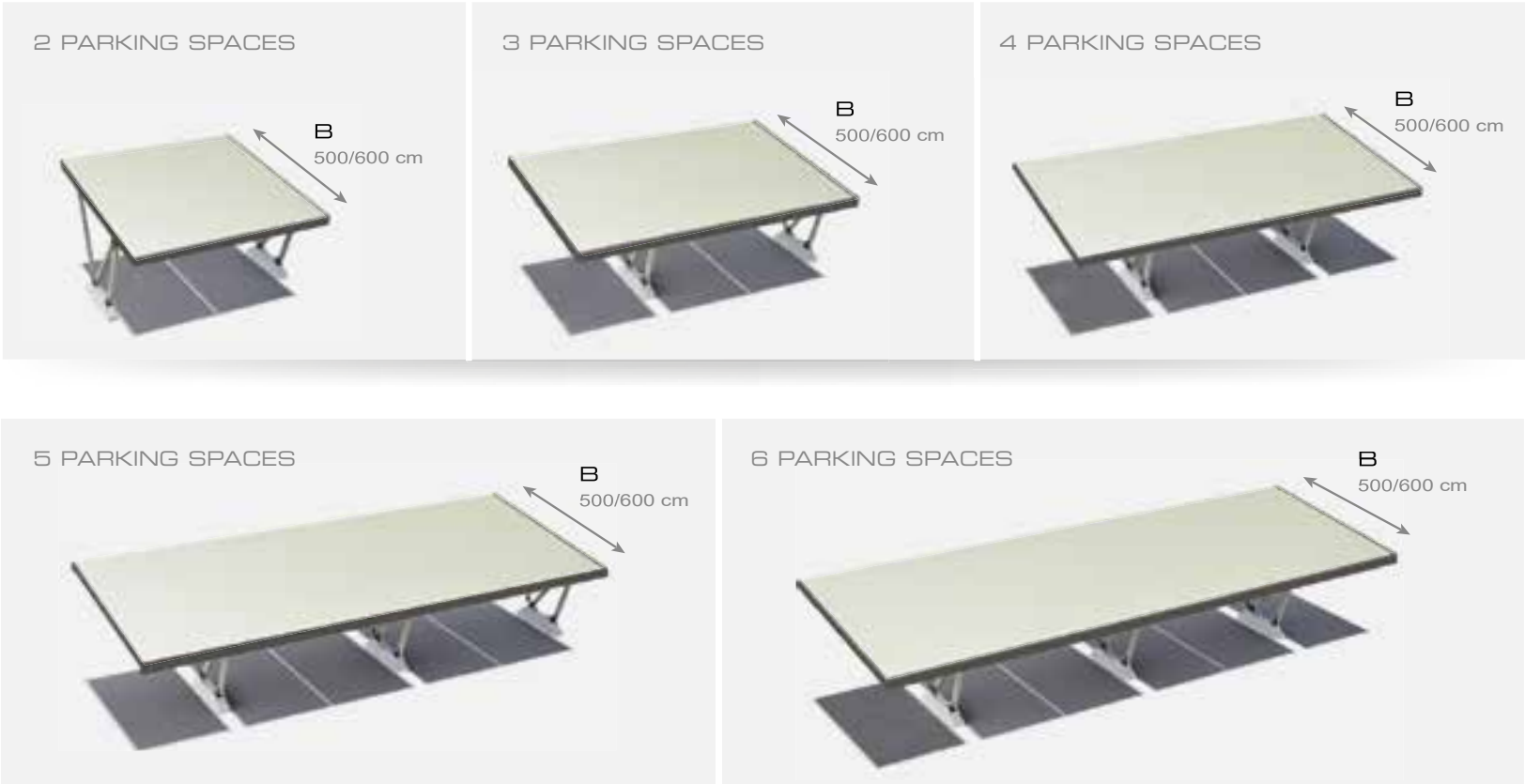


	'LIGHT' VERSION (see page 176)	
<p>A = B</p>	<p>A = B</p>	<p>60 mm</p>



# DIMENSIONS

A single "PensilAuto" structure is designed to cover long rows of parking spaces with purlins (B) with a maximum length of 600 cm (19.69 ft). Examples of modular structures:



## SPECIAL VERSIONS



NOTE: Structure dimensions are custom made for the client.

# TECHNICAL DETAILS - CANVAS VERSION



Anchoring baseplate for reinforced concrete



Anchoring baseplate with 2 pegs for hard ground



Anchoring baseplate with 4 pegs for hard ground



Anchoring baseplate with 6 pegs for hard ground

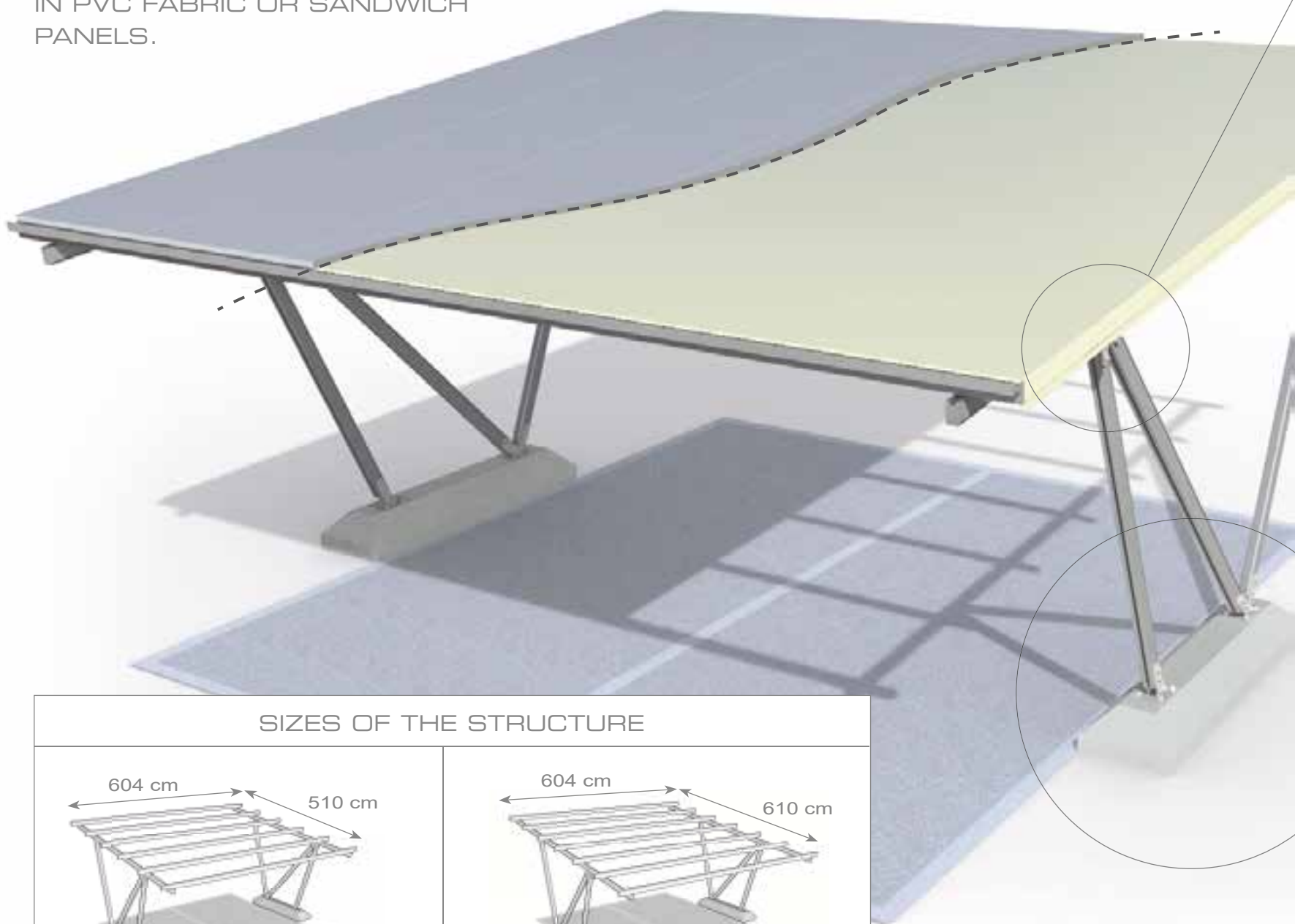




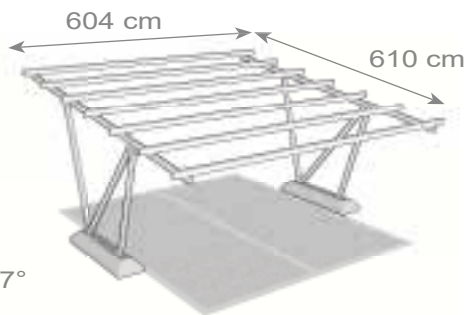
# **LIGHT** **PENSILAUTO**

'PENSILAUTO' IS ALSO AVAILABLE IN THE "LIGHT" VERSION COVERING 2 PARKING SPACES WITH A LIGHTER DESIGN. THIS VERSION ENSURES A QUICK ASSEMBLY WITH NO NEED OF GROUND ANCHORS.

THE ROOF COVER IS AVAILABLE IN PVC FABRIC OR SANDWICH PANELS.



## SIZES OF THE STRUCTURE



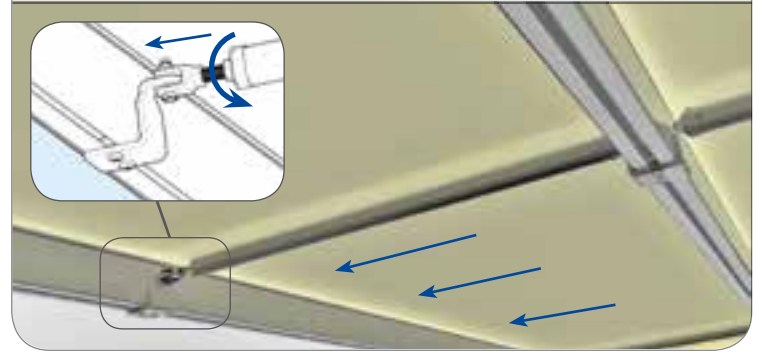
Roof slope: 7°



FASTENING SYSTEM  
OF BEAM TO UPRIGHT



PVC ROOF COVER'S TENSIONING SYSTEM



CONCRETE WEIGHTS  
500 kg each



ANCHORING WITH PLATES  
FOR CONCRETE SURFACES ONLY  
Quick installation with anchor bolts.







**GIULIO BARBIERI**  
OUTDOOR SOLUTIONS

Giulio Barbieri S.r.l.

[www.giuliobarbieri.it](http://www.giuliobarbieri.it)

Via Ferrara, 41

44028 Poggio Renatico (FE) - Italy

[info@giuliobarbieri.it](mailto:info@giuliobarbieri.it)

Tel. (+39) 0532 821511

Fax (+39) 0532 821555

